

# Brass Ball Valve (BBV)

## Features

- Heavy duty brass construction
- UL & CSA Rated
- TFE seat with chrome plated brass ball
- Available in sizes 1/2" - 4"
- Full Port
- Available in lead-free version
- Locking handle option available

## Specifications

- Maximum service temperature: 150° F
- Working pressure: 600 WOG 1/2" - 2"
- Working pressure: 400 WOG 2 1/2" - 4"

## Models

- BBV Brass ball valve, threaded ends
- BBV-S Brass ball valve, solder ends
- BBV-D Brass ball valve with drain valve
- BBV-LF Brass ball valve, lead free



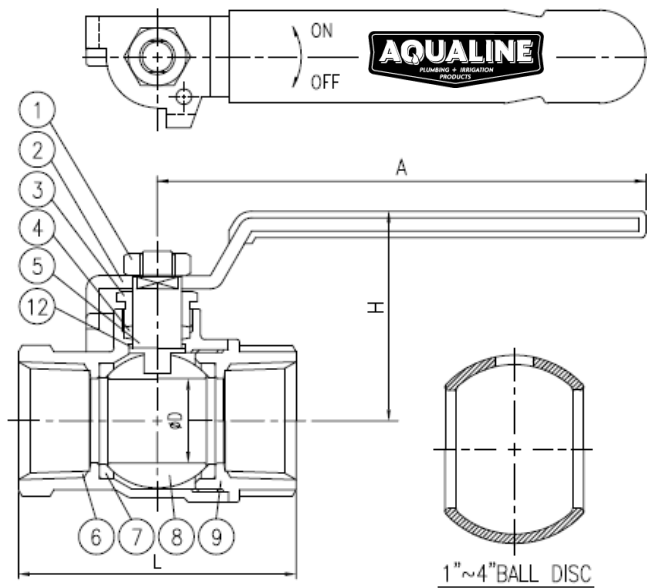
BBV



BBV-S

## Dimensions (mm)

Size	L	H	D	A
1/2"	54	38	12.7	80
3/4"	63	47	19	110
1 "	76	52	25	110
1 1/4"	85	60	32	130
1 1/2"	92	65	38	130
2"	108	79	50	200



## Material Specification

No.	Parts	Materials
1	Nut	AISI-1010
2	Handle	ASTM A283-D
3	Stem Gland Screw	ASTM B16-C36000
4	Stem Packing	Teflon PTFE
5	Stem	ASTM B16-C36000
6	Body	C46400
7	Ball Disc Packing	Teflon PTFE
8	Ball Disc	C46400
9	End Plug	C46400
12	Thrust Washer	Teflon PTFE