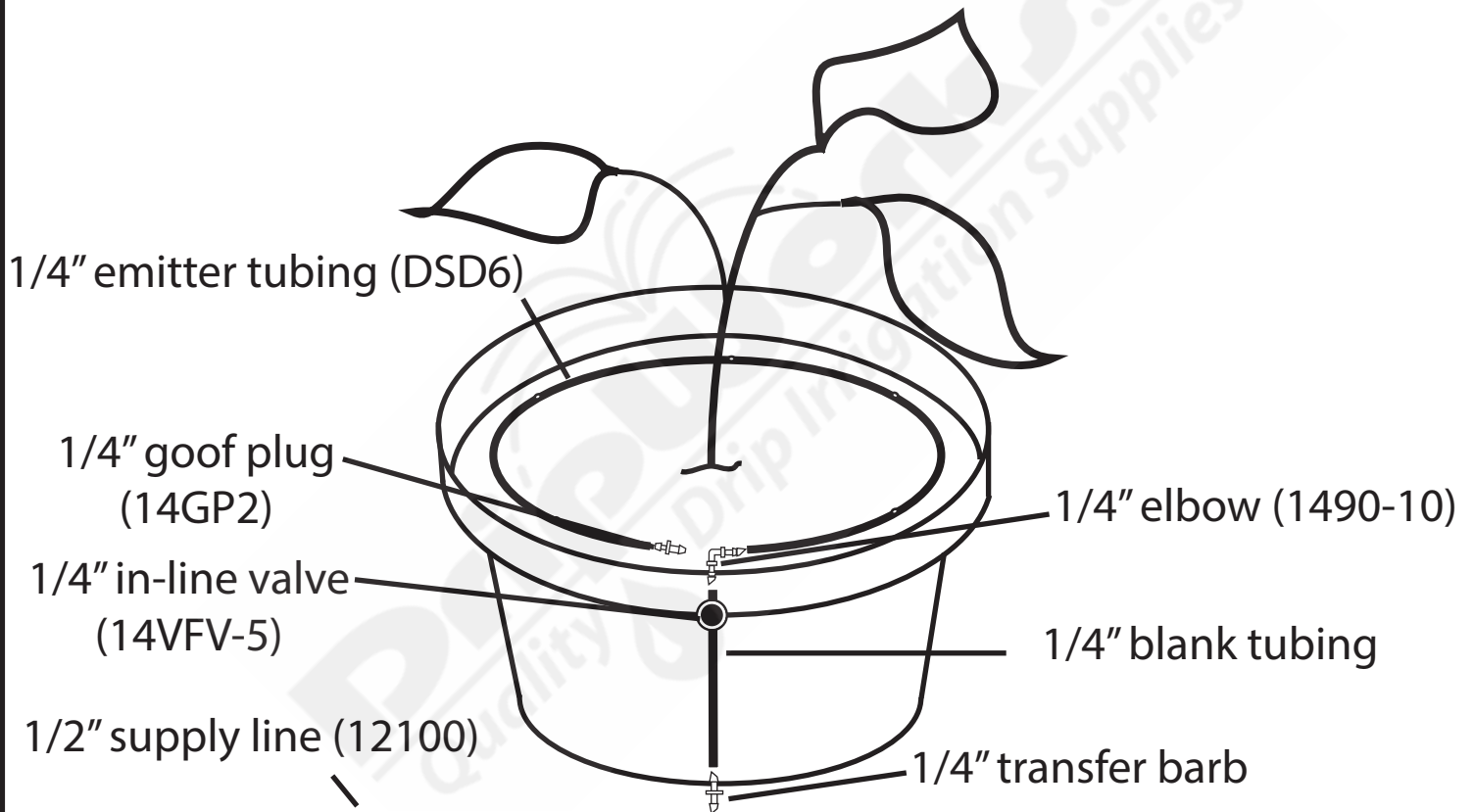


Container Watering Setup with Optional Shut Off Valve

*Components are dependent on available flow
and pressure. Check individual specifications.



Although installing a shut off valve on the supply line to control multiple plantings with the same watering needs is usually more practical, an individual shut off valve is occasionally required. This setup shows an optional 1/4" inline valve (14Vfv) to turn the flow on and off to a ring of 1/4" Soaker Dripline that has emitters spaced every 6" (DSD6).