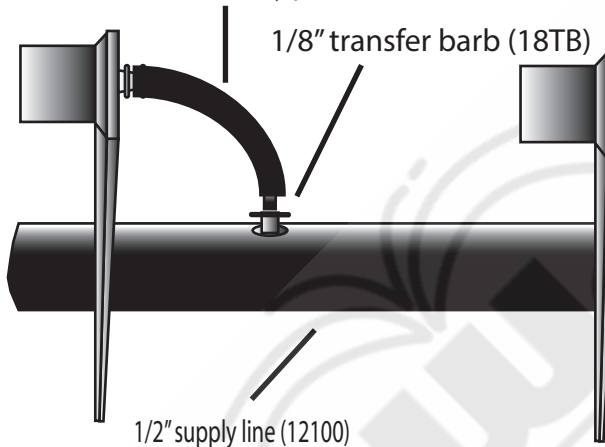


# Pot Dripper

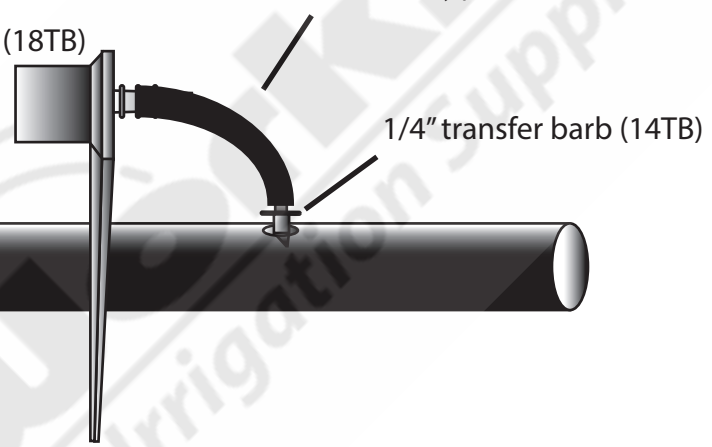
Example 1

Add 1/8" tubing (18100) to emitter outlet to reach nearby plants



Example 2

Add 1/4" tubing (14100) to emitter outlet to reach nearby plants



- Flow will vary with pressure changes
- Low cost
- Dripper has a 2" hold down stake
- Threaded inlet

Pot Dripper is available in:  
.5 GPH (DPOT12) and 1 GPH (DPOT1)

Use the Pot Dripper to water containers and hanging baskets.

## Flow vs. Pressure

Flow is the output of water measured in GPH (gallons per hour) or GPM (gallons per minute) and pressure is the force behind the flow measured in PSI (pounds per square inch).