

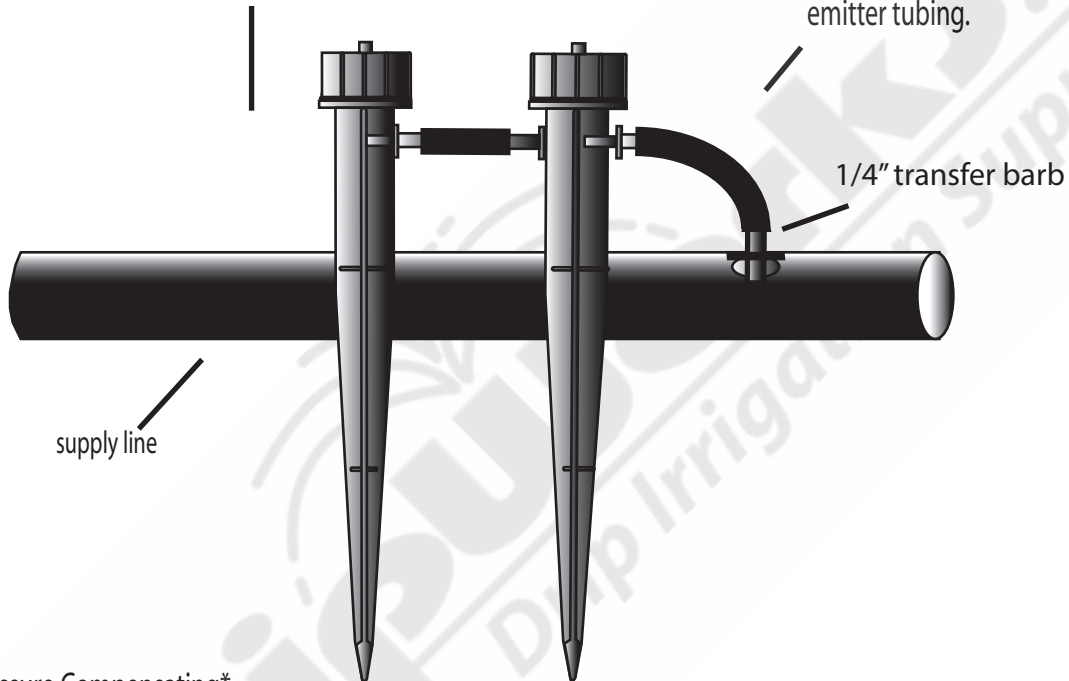
Ceta In-Line and End-of-Line Emitter

Example 1

Use the (DCSTK) emitter at the end of your row

Example 2

Use the (DCIL) emitter to make your own in-line emitter tubing.



- Pressure Compensating*
- 10-50 PSI range (pounds per square inch)
- Precise delivery amounts
- Clog Resistant
- Self-flushing

In-Line Ceta emitters is available in: 1 GPH (DCIL)
and End of Line Ceta 1 GPH (DCSTK)

Use Ceta emitter in containers, decks and landscapes

Flow vs. Pressure

Flow is the output of water measured in GPH (gallons per hour) or GPM (gallons per minute) and pressure is the force behind the flow measured in PSI (pounds per square inch).