

Indoor Garden Kit (KIN1) Assembly Instructions

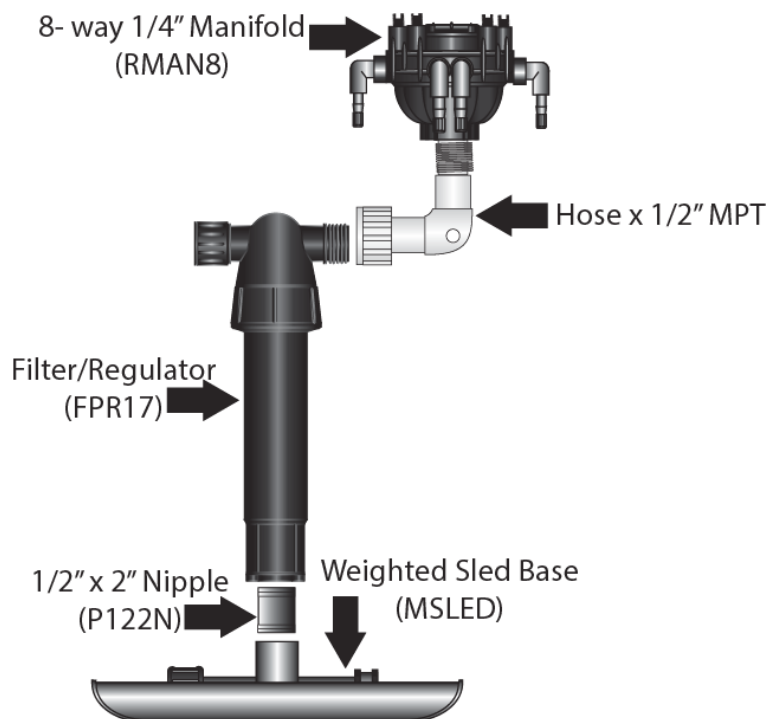
Congratulations on purchasing one of DripWorks' all-inclusive kits, the easiest way to get a complete drip irrigation system setup to fit your gardening needs. The kit has two parts; the faucet assembly or system start portion that brings the water to your garden and emitters that distribute that water to your plantings.

To double the coverage of this kit, order the Indoor Garden Add-On Kit (KINA1)

System Start

This portion of the kit includes the 8-way manifold, hose shutoff, weighted sled base, filter/pressure regulator unit, and adapters.

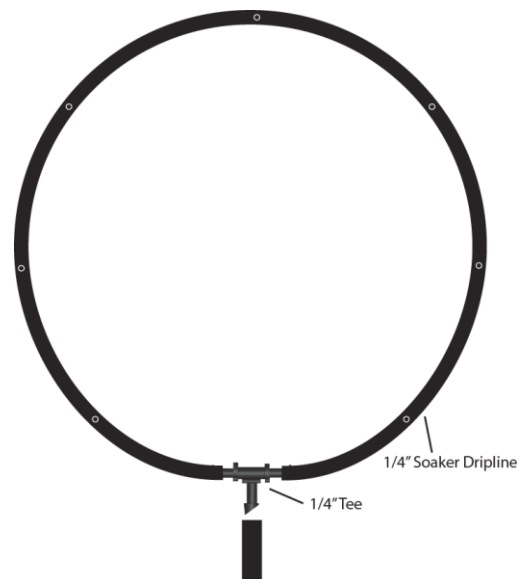
1. Wrap the threads on both ends of the ½" nipple with thread sealant tape and screw the nipple into the outlet on top of the sled base
2. Thread the filter/regulator unit onto the projecting nipple
3. Connect the female hose thread end of the elbow adapter to the filter/regulator outlet
4. Wrap the male pipe threads of the elbow adapter with thread sealant tape
5. Thread the 8-way manifold onto the elbow adapter



Emitters

The Indoor Garden kit includes ¼" Soaker Dripline, with built-in emitters spaced every 12", and a roll of blank ¼" vinyl tubing. In addition, the kit includes ¼" transfer barbs, ¼" goof plugs, ¼" tees, and hold down stakes.

1. To create a ring in a container
 - a. Cut the ¼" Soaker Dripline to the desired length and create a circle
 - b. Use the ¼" tee to join the two ends of the ¼" Soaker Dripline together
2. Connect the ring to the ¼" vinyl tubing with the remaining tee outlet
3. Run ¼" vinyl tubing back to the 8-Way Manifold and cut it to the desired length
4. Unscrew an outlet cap on the 8-Way Manifold outlet and connect the tubing
5. Repeat for all desired setups
6. Connect the hose shutoff end to the inlet of the sled base
7. Connect the male end of your garden to the hose shutoff
8. Turn on the water and test the system



If you have any further questions about our products, or installing your drip system, please contact us at 800-522-3747 or via email at support@dripworks.com or visit our store at DripWorks, 190 Sanhedrin Circle, Willits, CA 95490