

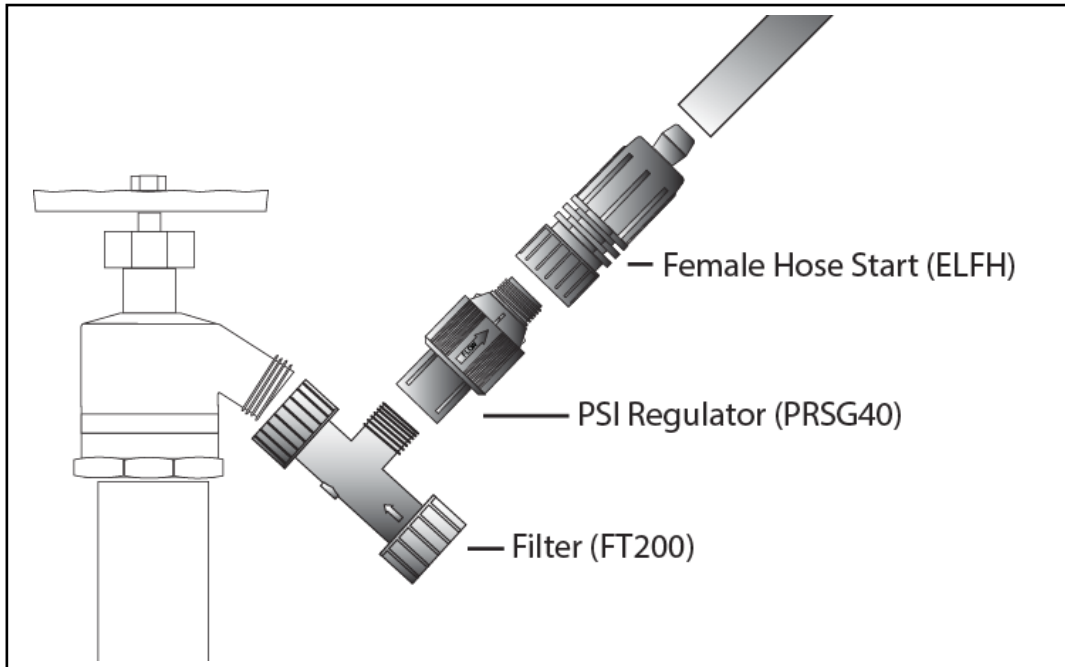
## Greenhouse Kit Misting Assembly Instructions

Congratulations on purchasing one of DripWorks' all-inclusive kits, the easiest way to get a complete irrigation system setup to fit your needs. The kit has two parts; the faucet assembly or system start portion that brings the water to your garden and the emitters that distribute that water to your plantings.

**This kit will spray 2 areas 4' X 10'. The misters have a 2' radius and should be placed 2' apart. The kit includes trellis hangers so the tubing can be suspended on trellis wire above the propagation tables.**

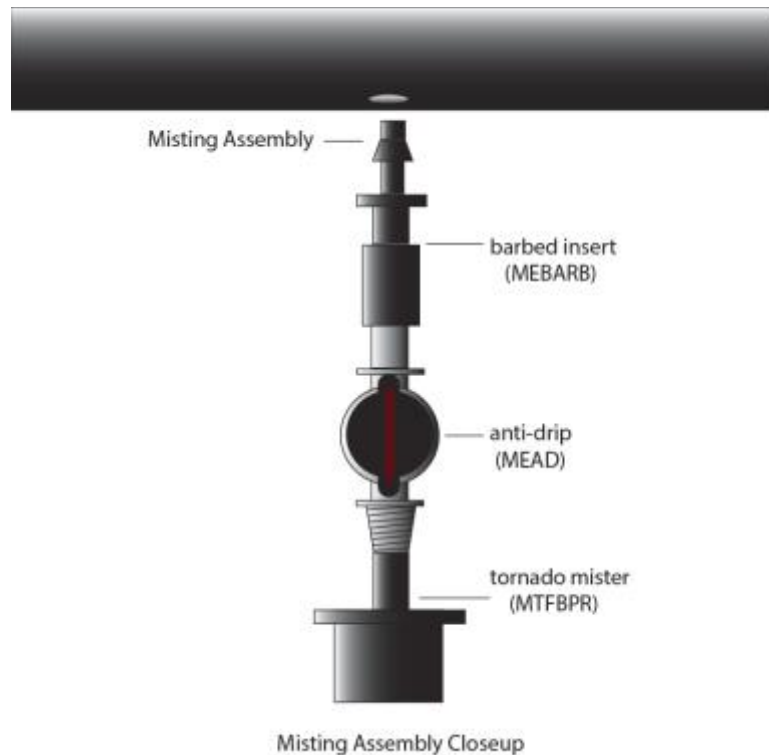
### System Start

1. At the faucet, timer, or hose end, attach the Tee Filter (FT200) then the pressure regulator (PRSG40)
2. The Easy Loc Female Hose Start (ELFH) connects to the 1/2" mainline (see Easy Loc instructions)
3. Connect the Easy Loc Female Hose Start (ELFH) to the pressure regulator (PRSG40)



## Misters

1. Set up trellis wire over the center of the misting area at the desired height and tension
2. Unroll the mainline and allow it to relax before attaching to the trellis 6. Use the Easy Loc tee (ELT) to split the mainline over the tables
3. Make a hole in the mainline with the punch (PUKEY) and insert the misting assembly so it is oriented to spray on the bed or table (the distance should be 2'-3')
4. Turn the water and flush the lines then close the mainlines with Figure 8 Ends (CF8)



If you have any further questions about our products, or installing your drip system, please contact us at 800-522-3747 or via email at [support@dripworks.com](mailto:support@dripworks.com) or visit our store at DripWorks, 190 Sanhedrin Circle, Willits, CA 95490