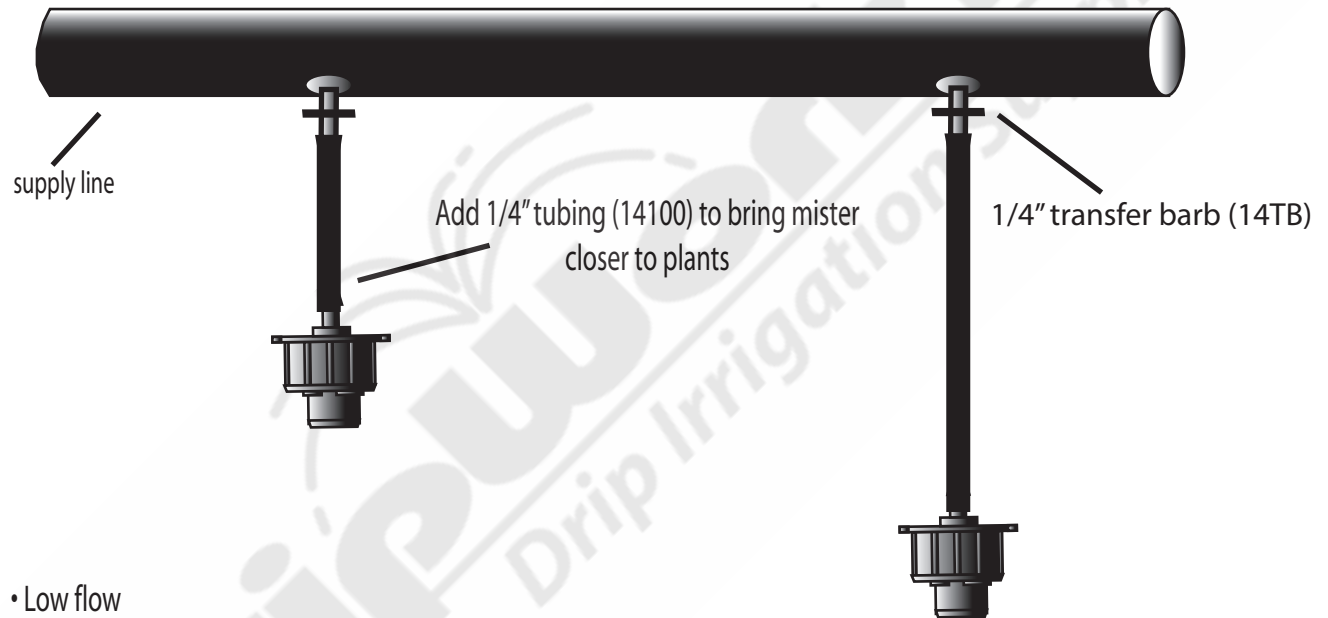


# Cool Breeze Mister

Example 1



- Low flow
- 35-80 PSI range (pounds per square inch)
- Available in 1/4" barb or 10/32 threaded base
- Wide angle spray
- Water particles are larger than those of other misters

Cool Breeze mister is available in: 3/4 GPH barb (MND34B),  
1 GPH barb (MND1B), 3/4 GPH threaded (MND34T) and 1 GPH threaded (MND1T)

Use Cool Breeze mister to cool the air in greenhouses and deck areas

## Flow vs. Pressure

Flow is the output of water measured in GPH (gallons per hour) or GPM (gallons per minute) and pressure is the force behind the flow measured in PSI (pounds per square inch).