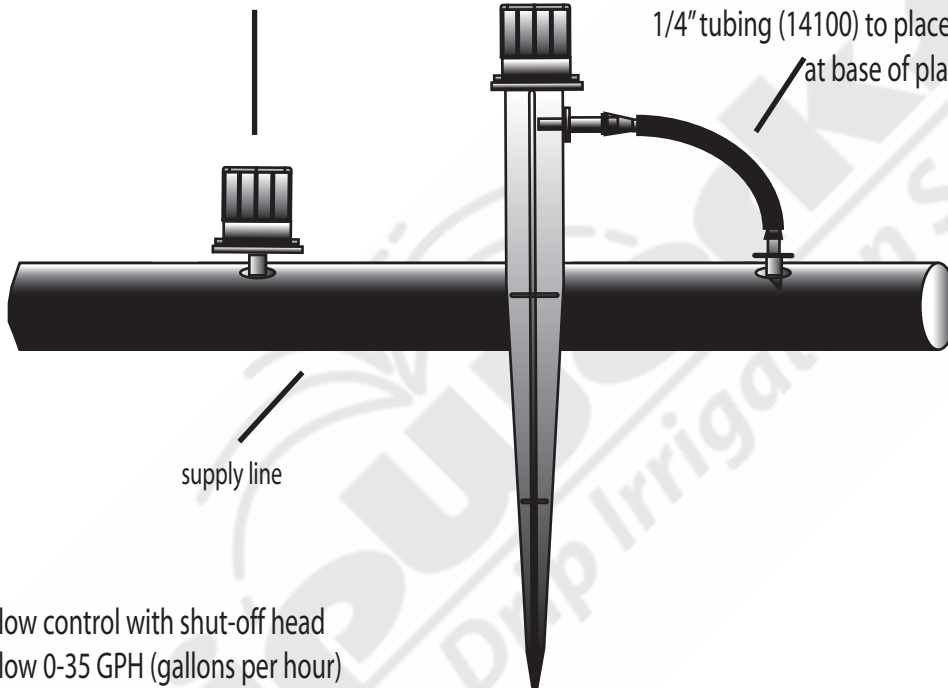


Adjust-A-Bubbler

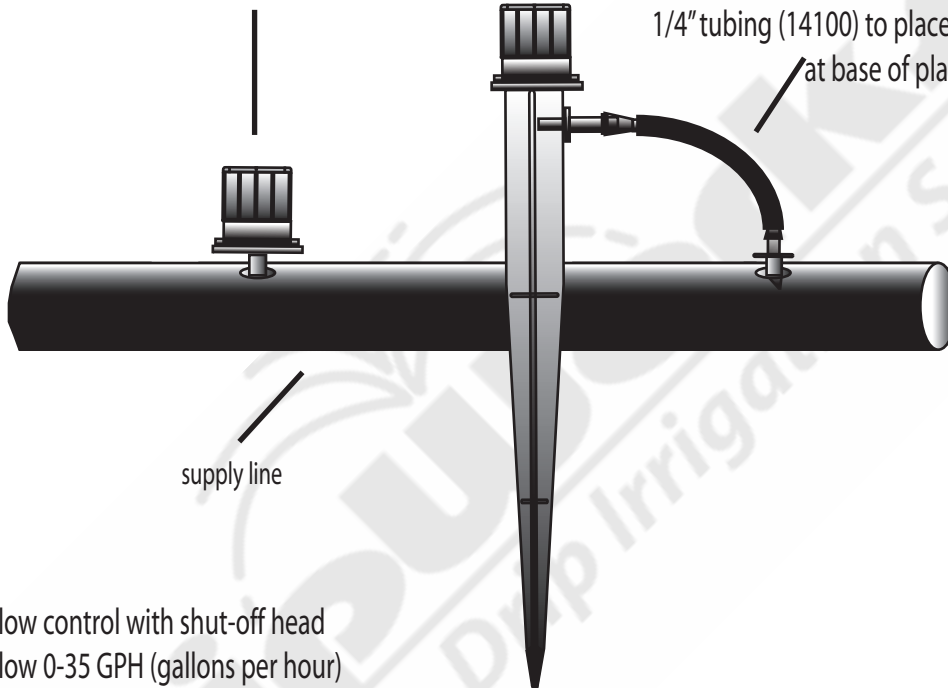
Example 1

Install bubbler (DAB) directly into supply line



Example 2

Add 1/4" transfer barb (14TB) and 1/4" tubing (14100) to place bubbler (DABS) at base of plant



- Flow control with shut-off head
- Flow 0-35 GPH (gallons per hour)
- Take apart style for cleaning
- High volume/Small Diameter 12" circle pattern
- Flow rates allow short watering times
- 15-30 PSI range (pounds per square inch)

Adjustable Bubbler is available in:
1/4" barb base (DAB) and on 5" stake (DABS)

Use the bubbler to water small trees, hanging baskets and containers.

Flow vs. Pressure

Flow is the output of water measured in GPH (gallons per hour) or GPM (gallons per minute) and pressure is the force behind the flow measured in PSI (pounds per square inch).