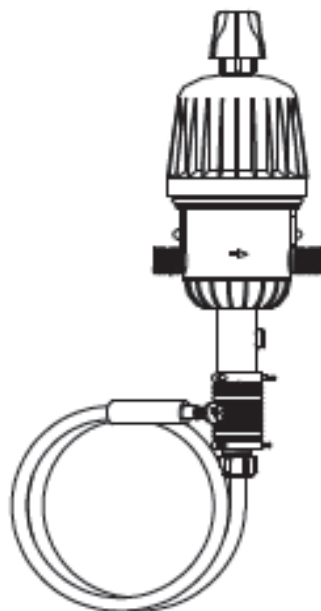


DEMA[®]

MixRite[®]

Proportional Injector
Bomba de dosificación proporcional
Pompe à Dosage Proportionnel



- User Manual
- Manual del Usuario
- Manuel Utilisateur

| | | |
|---------|---------|----------|
| English | Espan | Français |
| p.2-12 | p.13-24 | p.25-36 |

10030

www.demaeng.com E-mail: sales@demaeng.com



User Manual

The MixRite is powered by water flow, with minimal loss of pressure. The water engine powers the proportioning unit. No external power is required.

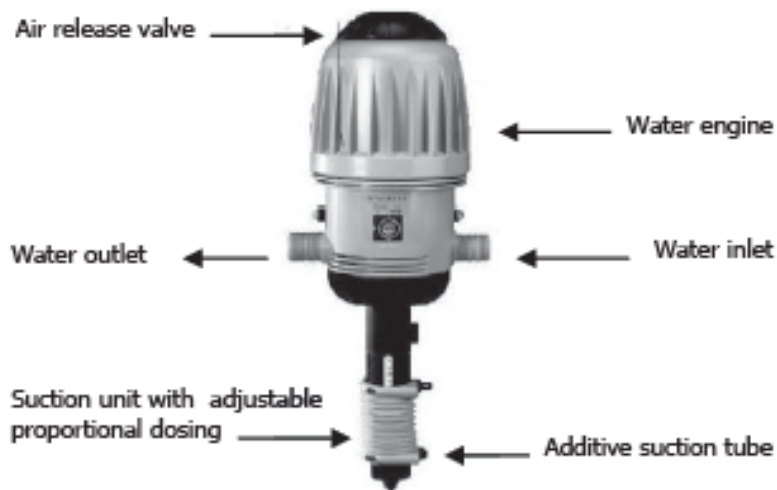
The proportioning unit injects liquid additives in direct relation to the amount of water that passes through the motor and injects the additives into the water system.

The water engine action:

The suction and proportioning unit is built from a piston connected to the water engine, from which it derives its movement. The piston moves within a cylinder with a non-return valve. The movement of the piston within the cylinder causes the water to be injected with the required liquid additive to be drawn through a hose inserted into a container. It is possible to regulate the supply ratio between the additive and the water passing through the injector in models: 569(CW/CL/PVDF), 570(CW/CL/PVDF), 572(CW/CL/PVDF), 574(CL/CW), 571(CW/CL/PVDF), 573(CW/CL/PVDF), 575(CL/CW)

In models 571 Green and 568AG the dosing is predetermined and can not be changed.

In models 576IN, 578IN, 577IN, 579IN the drawn additive is transferred through a inlet bypass directly into the main water line, without contact with the water engine.



Technical Data

MixRite operates in the following conditions:

- From a minimum flow rate of 20 L/H (5.3 Gal/H) and up to 2,500 L/H (660 Gal/H)
- Temperature not lower than 4°C (39°F) and not higher than 40°C (104°F)
- Water pressure between 0.2 Bar to 8 Bar (2.9 to 120 PSI)

The additive may be added to the water flow according to the required dosing percentage:

0.1% to .9% in models: 569(CL/CW/PVDF)

0.3% to 2% in models: 570(CW/CL/PVDF), 571(CW/CL/PVDF), 576IN, 577IN.

0.4% to 4% in models: 572(CW/CL/PVDF), 573(CW/CL/PVDF), 578IN, 579IN.

3 % to 10% in models: 574(CL/CW), 575(CL/CW)

Fixed dosage 0.8 % in models: 571 Green, 568AG

Water pressure loss:

Pressure loss in the lower flow rates 0.1 Bar and in the higher flow rates up to 1 Bar.

Models with 0.3%-2%: from 0.1 Bar up to 1 Bar in proportion to the water flow

Models with 0.4%-4%: from 0.2 Bar up to 1.2 Bar in proportion to the water flow

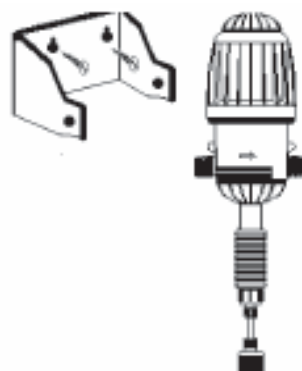
Models with 3%-10%: from 0.5 Bar up to 1.8 Bar in proportion to the water flow

The MixRite inlet and outlet are 3/4" BSPT male thread.

The additive tank should be placed beneath the MixRite.

Mounting the MixRite

1. Prepare the MixRite site.
 - The MixRite intake and outlet must reach the intake and outlet pipes.
 - The MixRite must be positioned above the liquid additives container.
2. Screw the MixRite bracket onto a wall or any stable vertical base.
3. Press the MixRite onto the bracket.
The nipples on the MixRite must click into the holes in the side of bracket.



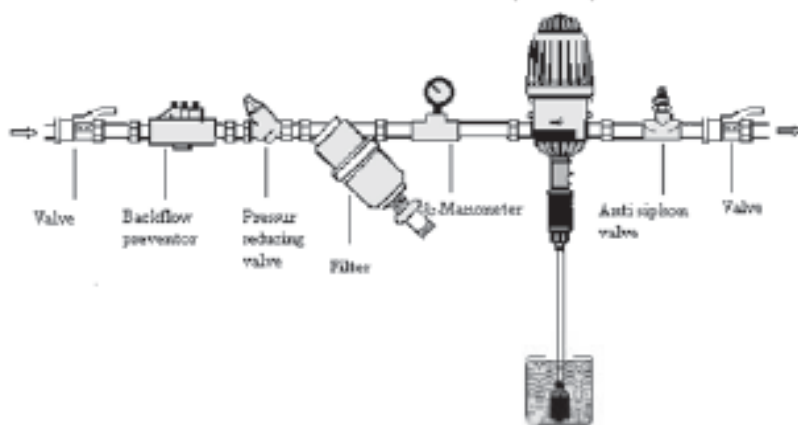


Installation of the MixRite

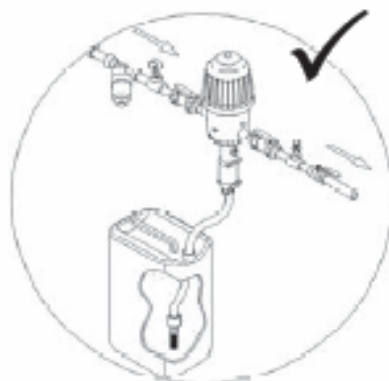
Installing the MixRite on a Direct Line (in line)

1. Install onto the water line using swivel connectors and ensure that the water flows into the MixRite in the direction indicated by the arrows printed on the MixRite.
2. Install a 50-75 mesh (250-300 micron) filter between the valve and the injector intake.
3. Valves have to be installed at the water line entry and exit; in order to stop the pump's action – you should close the Valve at the entry point.
4. Position the drawing pipe into the additive container. Ensure that the suction pipe filter is set several millimeters above the container's bottom. Check to ensure that the suction pipe is not bent or folded.

Install the MixRite on a Direct Line (In Line)



Correct Installation



Incorrect Installation

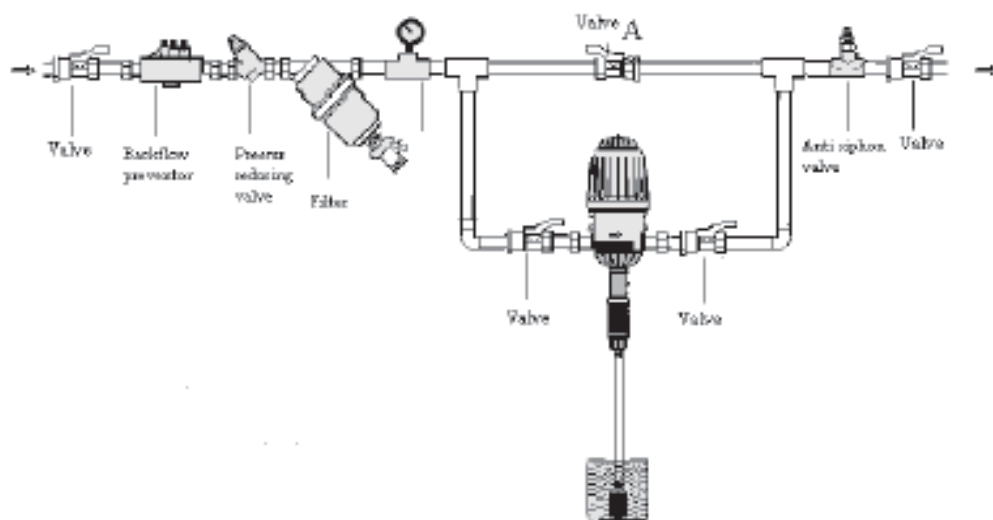


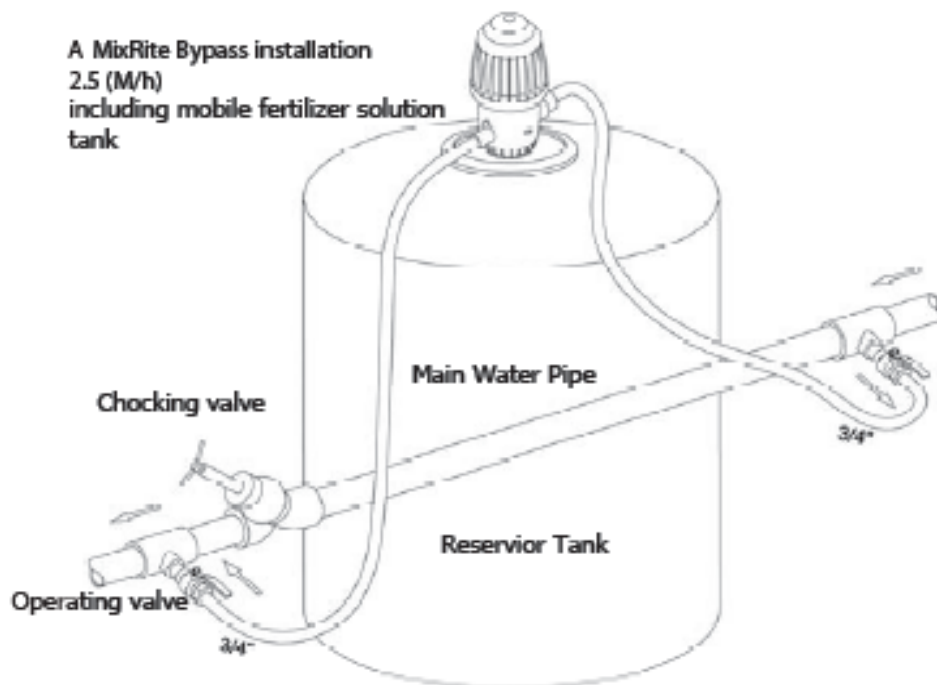
Installing the MixRite on a Bypass line (off line)

Where water is supplied at a higher flow rate, than the working flow rate of the injector or where the injector isn't needed for continuous operation, the MixRite must be installed on a bypass line. The bypass provides the possibility to close the operation of the injector while water continues to flow through the line.

1. Install onto the water line using swivel connectors and ensure that the water flows into the MixRite in the direction indicated by the arrows printed on the MixRite.
2. Install a 50-75 mesh (250-300 micron) filter between the valve and the injector intake.
3. Valves have to be installed at the bypass entry and exit and on the main water line.
4. Position the liquid additive container beneath the injector. Check to ensure that the suction pipe is not bent or folded. Position the drawing pipe into the additive container. Ensure that the suction pipe filter is set several millimeters above the container's bottom.

Install the MixRite on Bypass Line (Off Line)





Adjusting the MixRite

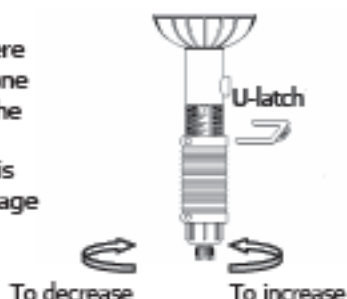
Every stroke of the MixRite moves a predetermined volume of water with a predetermined volume of liquid additive.

To adjust the volume of the liquid additive in models 569(CW/CL/PVDF), 570(CW/CL/PVDF), 572(CW/CL/PVDF), 571(CW/CL/PVDF), 573(CW/CL/PVDF), 576IN, 578IN, 577IN, 579IN:

1. Remove the upper U-latch from the Proportioning Lock Nut.
2. Preset the amount of additives according to the Percentage to Water Scale that is found on the proportioner.
 - Turn the proportioning Adjuster counter clock-wise to increase the amount of additives.
 - Turn the Proportioning Adjuster clock-wise to decrease the amount of additives.The marking on the scale indicates the % of additive out of the total water flowing through the injector.
3. Turn the proportioning Adjuster slightly, until the U-latch holes of the Proportioning Lock Nut align with the notches in the proportioner.
4. Push the U-latch into the U-latch holes of Proportioning Lock Nut until it is firmly in place.

In models 574(CL/CW), 575(CL/CW) there is no U-latch and the adjustment is done by turning the adjustment sleeve to the desired %.

In models 568 AG and 571 Green there is no possibility to adjust the dosing percentage it is predetermined by the injector model (see page 3)



DO NOT REMOVE THE LOWER U-LATCH !!!
(For maintenance purpose only)

Rinsing and Cleaning the unit

After pumping

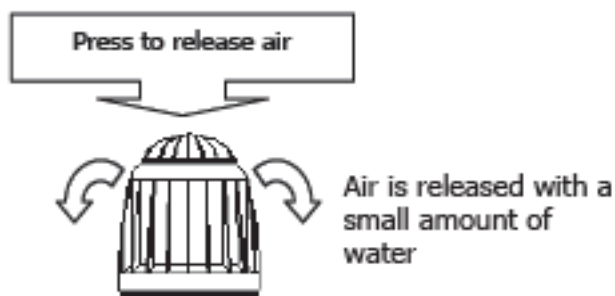
- Rinse the unit by pumping clean water from the additives container.
- Wash the external surface of the unit with clean water.

Warning: During pumping, ensure that the additive container is not completely empty.

Air-release Valve

In models: 568 AG, 571 Green, 570(CW/CL/PVDF), 572(CW/CL/PVDF), 574(CL/CW), 576IN, 578IN.

After initial operation of the MixRite, apply pressure to the cap (the air release valve) for several seconds to open valve that allows trapped air to escape. This air release is accompanied by a slight loss of water. Release the pressure on the cap to close the valve.





On/Off System

In Models: 569(CW/CL/PVDF), 571(CW/CL/PVDF), 573(CW/CL/PVDF), 575(CL/CW), 577IN, 579IN.

ON position – the Knob should be in its high position, the injector is working & pumping.

OFF position – The knob is turned and pushed down to the cap, the water flow the injector continuous without the pumping action.

To Turn the dosage unit off and allow the free flow of water through the MixRite:

A: The handle must be turned and pushed in so that it is in the close state.(see 1).

To Turn the dosage unit on and allow the pumping action MixRite:

B: The handle must be turned and pulled out so that it is in the opened state. (see 2).



Diagram 1

Diagram 2

In injectors with On/Off knob there is no air-release valve. It is highly recommended to use the On/Off knob when the additive container is empty or there is no need at all in the additive but the water flow should continue.



Troubleshooting

| Problem | Check | Solution |
|-------------------------------------|---|---|
| MixRite does not operate | Check that the intake and outlet valves are open | Open the valve |
| | Check that the water filter isn't clogged | Clean the filter |
| | Check that water is flowing in the line | Open main and outlet valve |
| | Check that springs are not broken Open pump lid & remove piston | Change the broken spring |
| | Check that cylinder is not scratched | Change cylinder |
| | Check that piston seals are not damaged | Change the seals |
| MixRite does not draw | Dismantle the suction pump and check the suction seal for damage | Change the suction seal |
| The MixRite makes scratching noises | Check if there is liquid in the additive container | Add liquid to the container |
| | Check if suction pipe is immersed and not folded | Straighten or change the pipe |
| | Check suction filter to see if it is blocked and if it is immersed in the additive tank | Clean and rinse suction filter, Fill liquid into tank to cover filter |

Correct installation will prevent damages and malfunctions of the MixRite

It is strongly recommended to install a back flow preventor before the injector on the main water line.

A vacuum release unit should be installed at the outlet of the MixRite in order to prevent undesired suction of additive when the water line is draining.

A master valve must be installed before the injector, to be opened only for the operation of the injector to prevent water hammer damage to the injector.

On/Off
models

Air release
valve models



568AG
571 Green

569(CW/CL/PVDF)
571(CW/CL/PVDF)
573(CW/CL/PVDF)



570(CW/CL/PVDF)
572(CW/CL/PVDF)

575CW
575CL







574CW
574CL

577IN
579IN



576IN
578IN



| Unit | Induction Ratio | Chemical Compatibility | Lip Seal Kit | Chemical Piston Kit | Chemical Check Valve Kit | Spring Kit | Engine Repair Kit |
|---------|-------------------------|--|--|---|---|---|--|
| Model # | Percentage or ratio | CW - Atlas Chem. Seals, CL - Viton Seals, PVDF - Kynar Body, Viton Seals |  |  |  |  | Includes Engine Assembly with lip seals, does not include connecting rod |
| | | | | | | | |
| 569 | .1-9% or 1000:1 - 100:1 | CW | 57.K01.001 | 57.1VE | 36000000001 | 36000000001 | 57.2B |
| | | CL | | | | 360000000090 | 57.2B.CL |
| | | PVDF | 57.K01.001P | 57.1P | | 36000000001 | 57.2B.P |
| 570 | .3-2% or 500:1 - 50:1 | CW | 57.K02.005 | 57.3VE | 360000000090 | 36000000001 | 57.2B |
| | | CL | 57.K02.005P | 57.3P | | 36000000001 | 57.2B.CL |
| | | PVDF | 57.K02.005 | 57.3VE | | 360000000090 | 57.2B.P |
| 571 | .3-2% or 500:1 - 50:1 | CW | 57.K02.005P | 57.3P | 360000000145 | 36000000001 | 57.2B |
| | | CL | 57.K02.005 | 57.3VE | | 360000000090 | 57.2B.CL |
| | | PVDF | 57.K02.005P | 57.3P | | 36000000001 | 57.2B.P |
| 572 | .4-4% or 250:1 - 25:1 | CW | 57.K04.012 | 57.8VE | 360000000001 | 36000000001 | 57.2B |
| | | CL | 57.K04.012P | 57.8P | | 360000000090 | 57.2B.CL |
| | | PVDF | 57.K04.012 | 57.8VE | | 36000000001 | 57.2B |
| 573 | .4-4% or 250:1 - 25:1 | CW | 57.K04.012P | 57.8P | 360000000090 | 36000000001 | 57.2B |
| | | CL | 57.K04.012 | 57.8VE | | 360000000090 | 57.2B.CL |
| | | PVDF | 57.K04.012P | 57.8P | | 36000000001 | 57.2B |
| 574 | 3 - 10% or 33:1 - 10:1 | CW | 57.K10.013 | 57.K10.210 | 360000000152 | 36000000001 | 57.2B.10 |
| | | CL | | | | 360000000090 | 57.2B.10.VE |
| | | CW | | | | 36000000001 | 57.2B.10 |
| 575 | 3 - 10% or 33:1 - 10:1 | CL | | | | 360000000090 | 57.2B.10.VE |
| | | | | | | | 36000000001 |

