

INSTALLATION AND MAINTENANCE INSTRUCTIONS 2" T-SUPER FILTER

Thank you for selecting an Amiad filters. This filter has been designed to provide years of trouble-free service. Please familiarize yourself with these instructions to ensure correct and reliable operation.

INSTALLATION

1. Amiad recommends using plastic connectors when installing the filter on to metal pipes.
2. Use only Teflon or silicon sealing material on the inlet/outlet connections. Do not use any sealing material on the plastic ball valve connection to the filter drain port. This is a compression type fitting and does not require any sealing material.
3. Install a shut-off valve before the filter to facilitate cleaning.
4. The filter may be installed in-line (Fig. 1) or at a 90° Angle (Fig. 2). In either configuration, it must be installed according to the direction of water flow as noted below.
5. This filter is available with either a Screen or a Disc element. Be sure the direction of flow is inside/out for the Screen cylinder and outside/in for the Disc element.

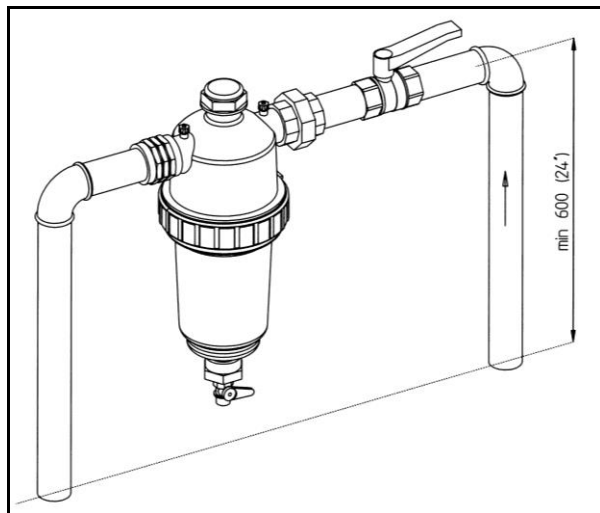


Fig. 1: In-Line installation

WARNING: Improper flow direction or backflow

CLEANING:

The filter requires cleaning when pressure differential between the inlet and outlet reaches 0.5-0.6 bar (7-8 psi). If the filter is equipped with the Amiad "Clogging indicator", the filter should be cleaned when the indicator button pops up.

WARNING: NEVER OPEN THE FILTER WHILE IT IS UNDER PRESSURE

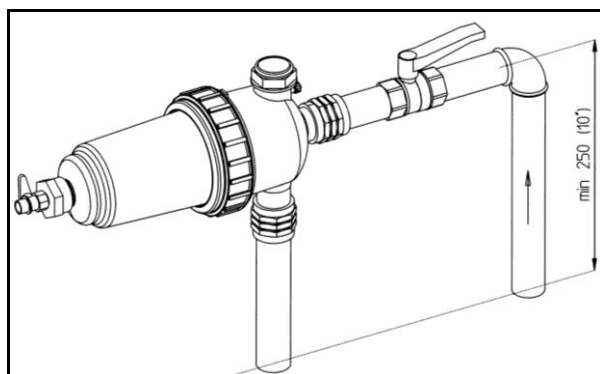


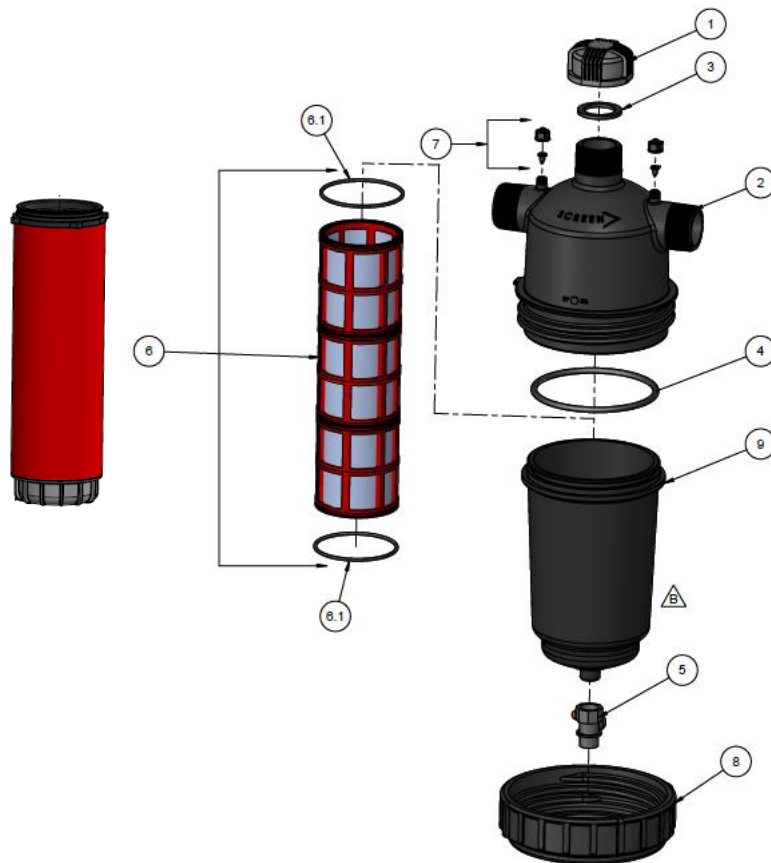
Fig. 2: 90° Angle installation

1. Close the water supply to the filter and release pressure from the filter by opening the drain valve.
2. Unscrew the tightening nut by hand to remove the lid and the filter element. (Do not use tools)
3. **Screen cylinder:** Rinse the screen with water. Use a soft brush for hard-to-remove particles. Do not use a metal brush which may damage the screen.
Disc element: Twist the disc element core nut and unscrew in a counterclockwise direction. This loosens the disc core. Direct a stream of water along the disc edges to rinse with a spinning action. Hand-tighten the disc element core after cleaning.
4. Insert the filter element into the housing. Verify that the housing and element seals are in place. Replace the filter lid and secure in place with the tightening nut. (Do not use tools)
5. Close the drain valve and open the inlet valve to pressurize the filter. Check and fix any leaks.

Do not allow the filter pressure differential to exceed 1 bar (14 psi) for an extended period time.

PARTS SCHEDULE: 2" T-SUPER FILTER

NO.	CAT. NO.	DESCRIPTION	QTY.	MATERIAL
1	710101-000549	2" CAP BSPT PP BLACK	1	PP
2	710103-004372	HOUSING 2T/2T-S RPA BSPT	1	RPA
3	770103-000041	CAP SEAL 2" NBR 80-85 SHORE	1	NBR
4	770102-000169	O-RING SEAL P2-437	1	NBR
5	300005-000006	BALL VALVE AC 3/4" 10 BAR BLACK FOR 2"T	1	VARIOUS
6	700101-001512	DISC EL PP 1175SCM 130M AMIAD 2S-3	1	PP
	700101-000415	MWW 316L 750SCM 130MIC AMIAD 2S-3" NBR	1	RPP+S/ST 316
6.1	770102-000130	PARKER O-RING 2-242 NBR 70S NO FLASH	2	NBR
7	700190-001305	PRESSURE CHECK POINT PLASTIC W/O NIPPLE	2	VARIOUS
8	710101-000551	2" T NUT RPA BLACK	1	RPA
9	710103-000564	COVER 3" PLASTIC RPA W/3/4" THR	1	RPA



AMIAD LIMITED WARRANTY

1. This certificate applies to Amiad Water Systems Ltd. ("Amiad") products purchased by you (the "Buyer") from Amiad unless specifically agreed otherwise in writing by Amiad. This Warranty extends only to the original purchaser, and is not transferable to anyone who subsequently purchases, leases, or otherwise obtains the product from the original purchaser.
2. Amiad hereby warrants that the products are and will be free from defects in material and workmanship under normal use and service. Amiad warrants that it will correct manufacturing defects in the products, in accordance with the conditions set out in this Warranty.
3. This Warranty is enforceable for a period of 12 months after the date upon which the products were delivered (the "Warranty Period").
4. In the event that during the Warranty Period the Buyer discovers a defect in material and/or workmanship in any product or part (the "Defective Product"), it shall submit a written complaint to Amiad using Amiad's standard Buyer Complaint Form. For the receipt of the Buyer Complaint Form, the submission of the complaint or any questions please contact your service representative.
5. Upon written demand by Amiad the Buyer shall return the Defective Product - or a sample thereof - to Amiad, at Amiad's cost. If the Buyer ships any such Defective Product, Amiad suggests the Buyer package it securely and insure it for value, as Amiad assumes no liability for any loss or damage occurring during shipment. Provided however that in the event Amiad determines that this Warranty does not apply to such product, Buyer shall promptly reimburse Amiad for such cost (including freight and customs). Any returned product or part must be accompanied by the Warranty certificate and the purchase invoice. It is clarified that the Buyer may not return the Defective Product unless such return was coordinated and approved by Amiad in advance.
6. Amiad's obligation under this Warranty shall be limited to, at Amiad's option, the repair or exchange, free of charge, of the product or any part which may prove defective under normal use and service during the Warranty Period. The provision of a repair or replacement of a product during the Warranty Period will result in an extension of the Warranty Period by an additional period of 12 months, provided that the total accumulated Warranty Period shall in any event be no more than 18 months from the date upon which the products were delivered.
7. This Warranty is valid on the condition that the products are installed according to Amiad's instructions as expressed in Amiad's instruction manuals and according to the technical limitations as stipulated in Amiad's literature or as stated by a representative of Amiad.
8. This Warranty will not apply to damaged or defective products resulting from or related to:
 - (i) Fire, flood, power surges or failures or any other catastrophe and/or unforeseen occurrence, such as but not limited to those for which the Buyer is customarily insured for, or any force majeure events;
 - (ii) Fault, abuse or negligence of the Buyer;
 - (iii) Intake water not meeting the agreed standards, as set forth in a written document, approved by Amiad, or improper storage;
 - (iv) Improper or unauthorized use of the product or related parts by the Buyer, including Buyer's failure to operate the product in conformity with the recommendations and instructions of Amiad, as set forth in Amiad's manuals and other written materials, the operation of the product other than by a trained and qualified operator, or improper installation of the product by a third party not authorized by Amiad;
 - (v) Performance by the Buyer of maintenance or operation other than in conformity with the recommendations and instructions of Amiad, or other than in accordance with procedures defined in the literature supplied for products (including the timely replacement of requisite parts), and for services provided other than by a trained and qualified advanced operator; or
 - (vi) Any alteration, modification, foreign attachment to or repair of the products, other than by Amiad or its authorized technical representatives.
9. In no event shall Amiad be liable to the Buyer or any third party for any damages to property, or for any intangible or economic loss, including loss of profits, loss of customers or damage to reputation, for any damages, including indirect, special, consequential damages, or punitive damage arising out of or in connection with this Warranty, or arising out of or in connection with the product's performance or failure to perform, even if it has been advised of the possibility of such damages.
10. Amiad will be excused for failure to perform or for delay in performance hereunder if such failure or delay is due to causes beyond its reasonable control or force majeure preventing or hindering performance.
11. This Warranty set forth herein is the only contractual warranty given by Amiad and is provided in lieu of any other warranties created by any documentation, packaging or otherwise.
12. Amiad makes no warranty whatsoever in respect to accessories or parts not supplied by Amiad. In the event that Amiad is required to correct a Defective Product or product not covered by this Warranty, it will do so solely in consideration for additional fees.
13. The parties will actively endeavor to amicably settle any dispute arising between them. In the event that the parties are unable to reach an equitable settlement of such dispute, any claim or lawsuit related to the Warranty, its validity execution, its performance be brought before only the courts of Tel-Aviv, Israel. Israeli law will govern the Warranty, to the exclusion of any conflict of law rules.

Manufacturer: Amiad Water Systems Ltd. D.N. Galil Elyon 1, 1233500, Israel Tel: 972 4 690 9500 | Fax: 972 4 814 1159 Email: info@amiad.com
The product is under European Directive: 2014/68/EU PED SEP. Requirements of Sound Engineering Practice of a member state have been met.
Product does not bare a CE mark.
EC REP for CE Matters: Obelis S.A, Boulevard Général Wahis 53, B-1030 Brussels, BELGIUM. Email: info@obelis.com