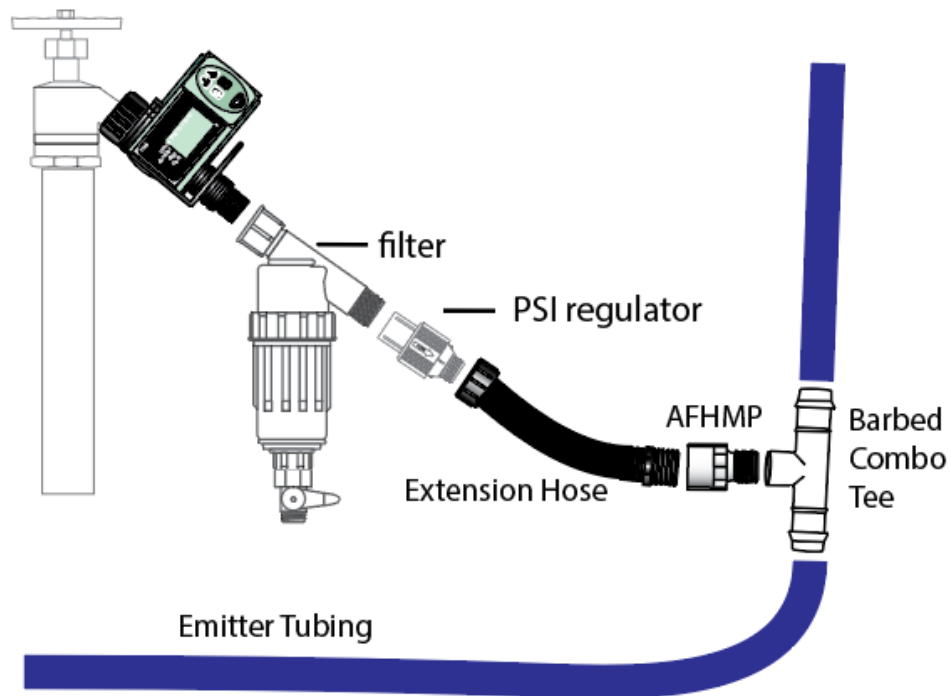


Foundation Kit Assembly Instructions

Congratulations on purchasing a DripWorks all-inclusive kit, the easiest way to get a complete drip irrigation system setup to fit your gardening needs. This kit will provide enough product to cover 2,500 sq. ft approximately.

First, you will install the Galcon timer (TGNLIDBT) on the hose spigot.

Following the timer, thread the filter (FYCH) onto the timer outlet. From the filter outlet, install your psi regulator (PRSLHH30). Use the high-pressure hose extension (HPEX3) from the outlet of the regulator to reach the ground. On the outlet of the high- pressure hose, install the female hose to male pipe adapter (AFHMP). Use the 17mm barb by female pipe combo fitting (TL075FTEE) after the adapter fitting to connect your emitter tubing.



Once your emitter tubing is connected to the fitting, you will lay the tubing around the base of your home. The tubing should be placed a minimum of 12" away from the foundation, but within 18" for optimal foundation watering. Use the hold downs to keep the tubing in place. You can trench and bury the tubing up to 6" deep. Another option would be to mulch over the tubing to protect it from the elements or hide it from view.

Once you have gone around the entire foundation, use the figure 8 end fittings to close off the end of the two pieces of tubing. Your installation is complete, and you are ready to water your foundation.

If you have any other questions about our products or about installing your drip system, please contact us at 800-522-3747 or via email at support@dripworks.com or visit our store at DripWorks, 190 Sanhedrin Circle, Willits, CA 95490